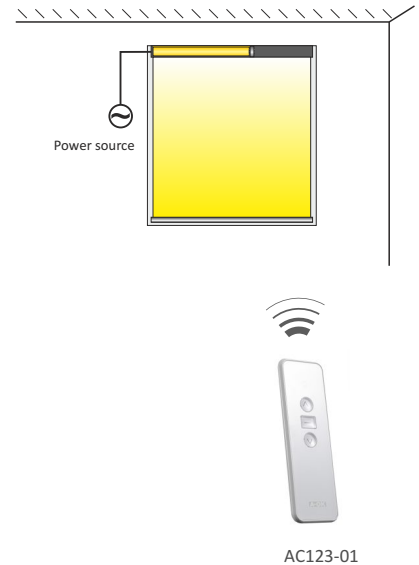


**AC123-01 Wireless one channel portable RC transmitter****Description**

Elegant and modern design.  
Special scratch-resistant finish.

**Parameters**

Article nr.	AC123-01
Battery type	3V CR2032
Operating temperature	-20°C~+55°C
Frequency	433.92MHz



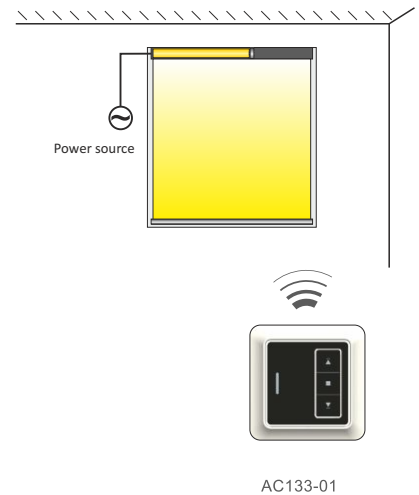
AC123-01

**AC133-01 Wireless one channel wall RC transmitter****Description**

Elegant and modern design.  
Special scratch-resistant finish.  
Optional use as portable / wall transmitter.

**Parameters**

Article nr.	AC133-01
Battery type	3V CR2032
Operating temperature	-20°C~+55°C
Frequency	433.92MHz



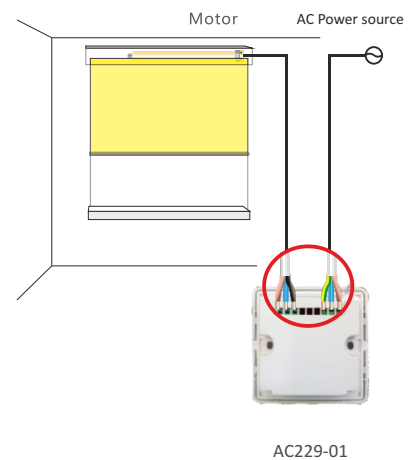
AC133-01

**AC229-01 One channel touch wall receiver / controller****Description**

Elegant and modern design.  
Compatible with any tubular motor.  
Touch glass panel, scratch-resistant finish.  
Water resistant design.

**Parameters**

Article nr.	AC229-01
Voltage	120V 60Hz , 230V 50/60Hz
Operating temperature	-35°C - +65°C
Frequency	433.92MHz
Operating mode	wireless receiver / hand control



AC229-01

AC123-01



### 8-E0004 Turning manual under-plaster switch

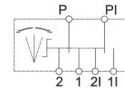
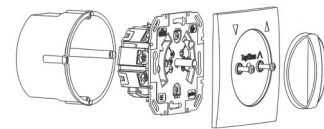
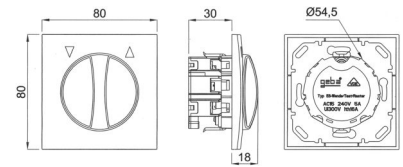
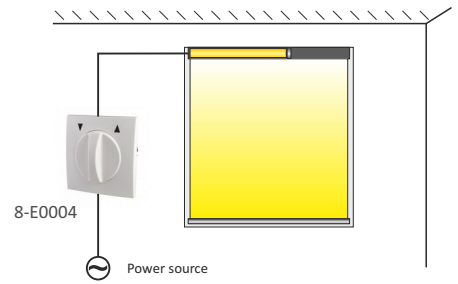


#### Description

Compatible with any tubular motor.  
3 position mechanical turning switch under-plaster.

#### Parameters

Article nr.	8-E0004
Dimensions	80 x 80 x 48 mm
Operating temperature	-30°C - +50°C
Voltage	230V / 16A



AC-15 Ue 240V Ie 5A  
Ui 300 V Ith 16A  
● max 1,5mm<sup>2</sup>  
— < 0,5mm<sup>2</sup>

### AC226-01 Water resistant external RC receiver

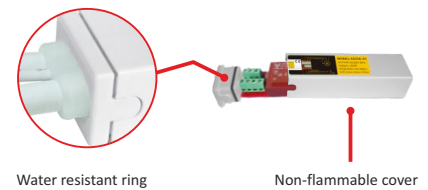


#### Description

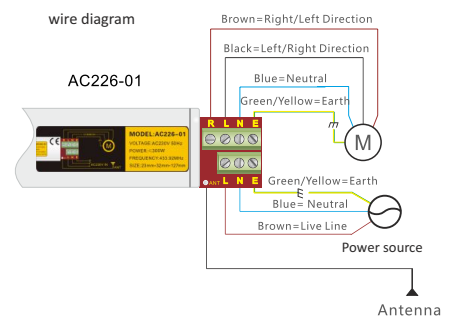
Full sealed, water resistant design IP65.  
Non-flammable cover.  
Dimensions 23x32x127 mm.

#### Parameters

Article nr.	AC226-01
Voltage	120V 60Hz , 230V 50/60Hz
Operating temperature	-40°C - +85°C
Frequency	433.92MHz

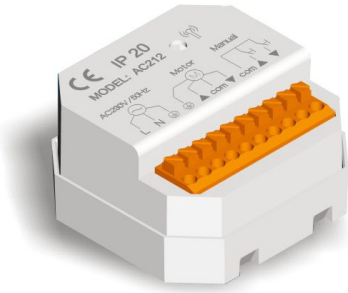


wire diagram



AC123-01

### AC212 External RC receiver

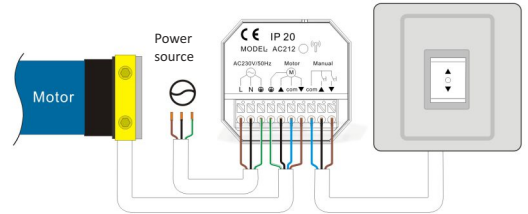


#### Description

Quick and easy connection with threaded clips.  
Usable for manual and remote control.

#### Parameters

Article nr.	AC212
Voltage	230V 50/60Hz
Operating temperature	-5°C - +60°C
Frequency	433.92MHz



### AC231-01 External RC / 12V Trigger

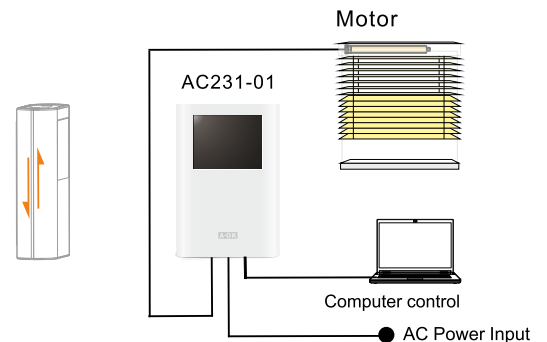


#### Description

Controlling of screen with wireless RC / IR transmitter, manual switch and projector.  
Non-flammable and water resistant plastic cover.  
LAN connector RS232/485.

#### Parameters

Article nr.	AC231-01
Voltage	230V 50/60Hz
Operating temperature	-40°C - +85°C
Frequency	433.92MHz



### AC512 AC Trigger



#### Description

Wireless transmitter function :  
projector is turning ON - automatic screen unroll  
projector is turning OFF - automatic screen roll-up  
Easy installation and controlling.

#### Parameters

Article nr.	AC512-02
Voltage	230V 50/60Hz 120V 60Hz
Operating temperature	-20°C - +55°C
Frequency	433.92MHz

